

# MA McCoy Swing Door Latch

## Olivari handles



### Olivari Handles

Let Southco Marine provide the perfect accent to your interior design. Award winning Olivari handles can be teamed with the world class McCoy lockset to provide the look and feel that set your design apart.

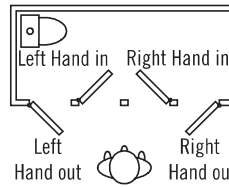
### Part Number Selection

Please refer to McCoy Swing Door Latch for Base part number.

**MA - BB - D L T - HHH - FF**

**HHH** Handle

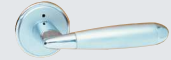
Refer to Olivari website and literature for 3-digit handle code for example  
 Aster = 174  
 Sector = 186



167 Emilia



174 Aster



134 Torino



186 Sector



108 Uovo

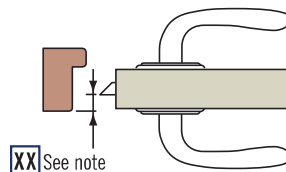


# MA McCoy Swing Door Latch

## Striker



### Striker



Note:  
 Distance **XX** is measured from the edge of the frame to the spring bolt

### Material and Finish

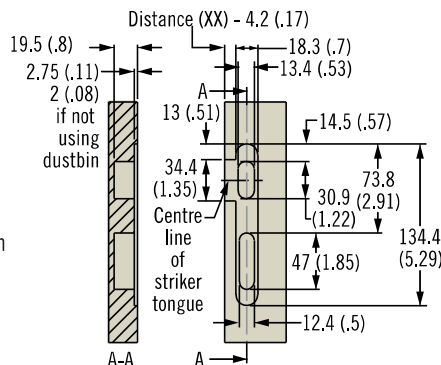
Striker: Brass, chrome plated

### Part Number Selection

**MC - 90 - 4 XX - Y - Z - 10**

- XX** Position
  - 05 5mm (3/16")
  - 07 7mm (1/4")
  - 09 9mm (3/8")
  - 13 13mm (1/2")
  - 16 16mm (5/8")
  - 21 21mm (7/8")
- Y** Swing
  - 1 Right In/Left Out
  - 2 Left In/Right Out
- Z** Dustbin Option
  - 0 No Dustbin
  - 1 With Dustbin

### Panel Preparation



Dimensions in millimeters (inch) unless otherwise stated